

Aquajet News

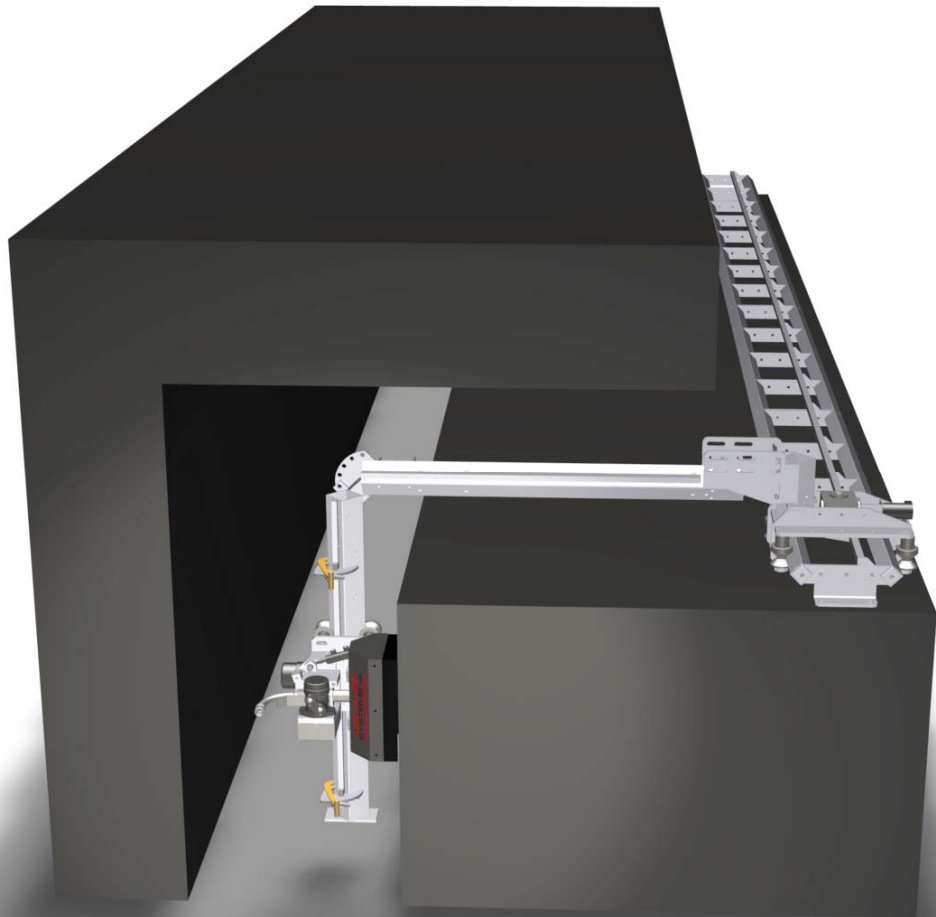
Aquajet Systems AB is a world leading company in design and manufacturing of versatile Hydrodemolition machines to selectively remove deteriorated concrete from sensitive areas and engineered structures

Product news

AQUA SPINE

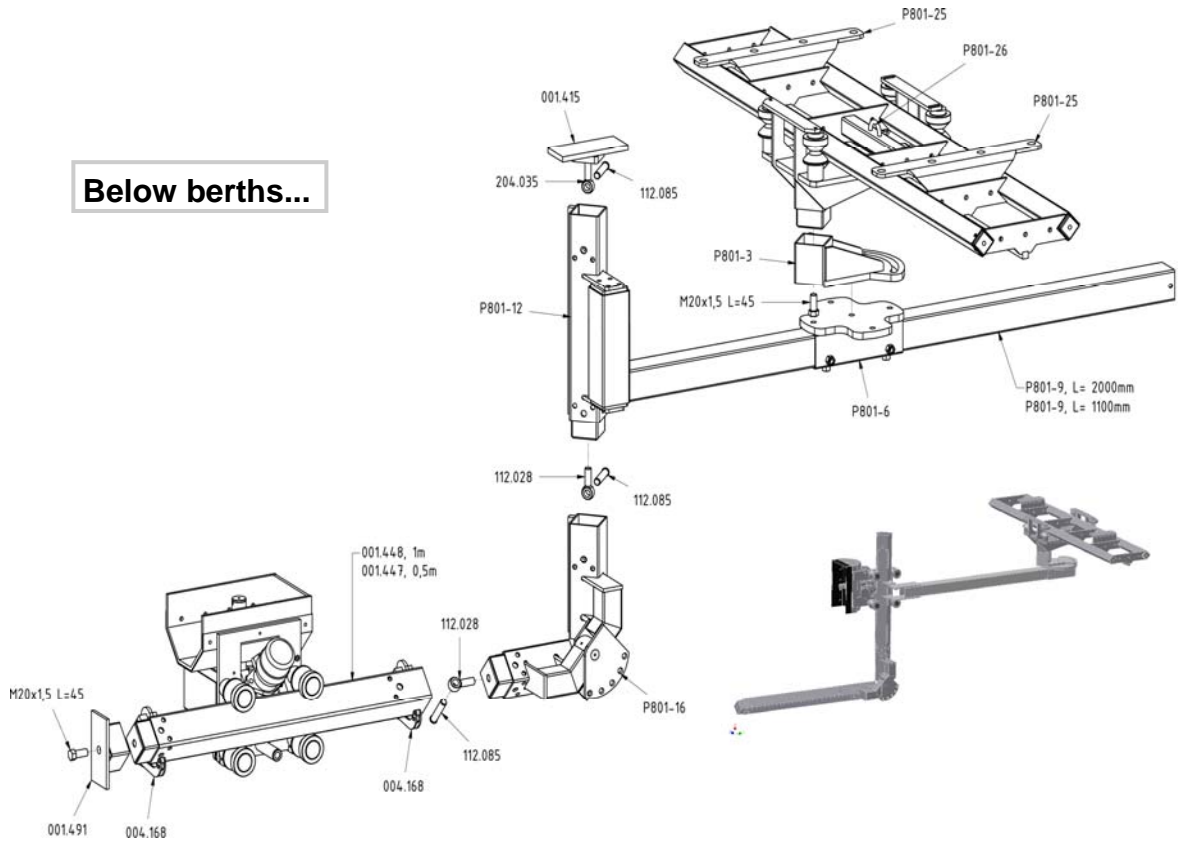
Now we release the all-new frame called **AQUA SPINE**. This frame is a development from many of our previous special applications and have with this set a new standard of frames. This is a multipurpose frame where you combine standard parts to a wide range of different applications.

In this **Aquajet News** you will find more examples how easy and flexible you set up for just your specific needs.

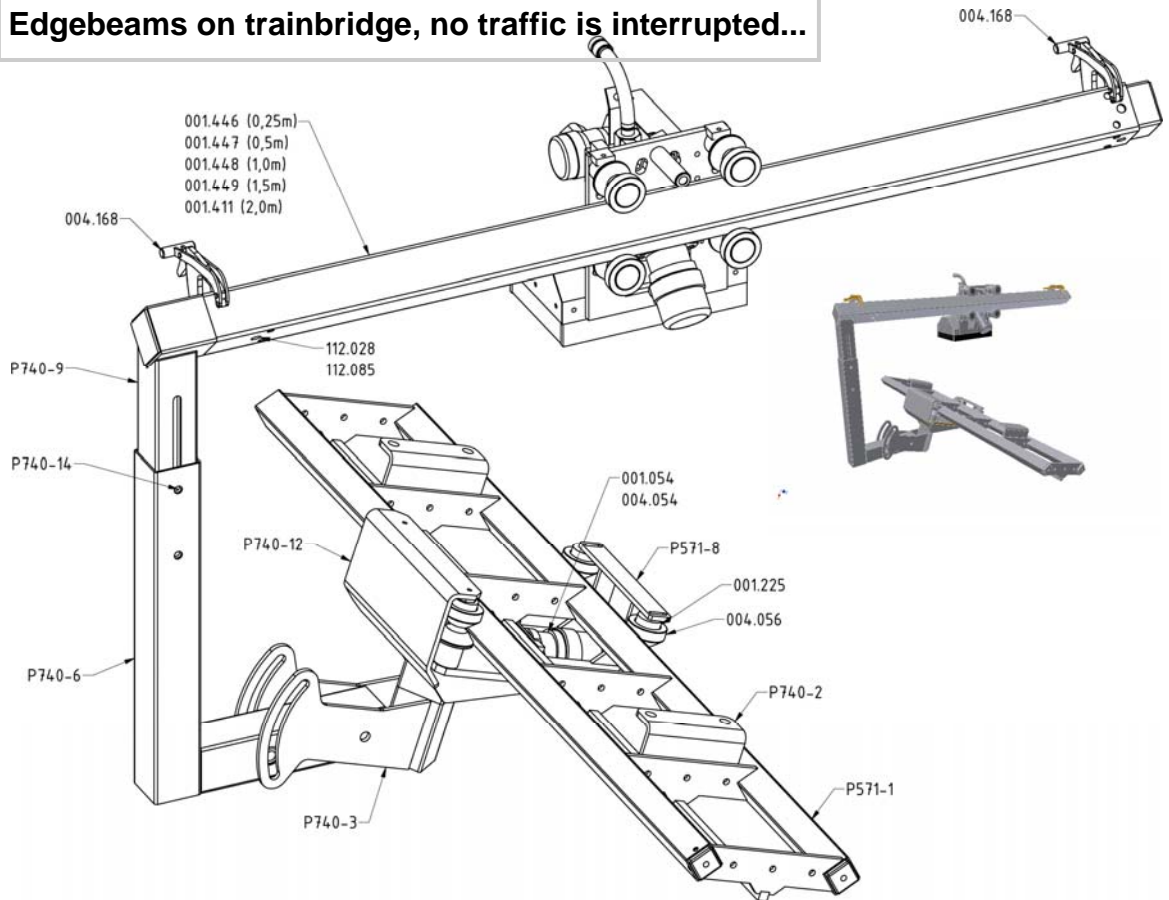


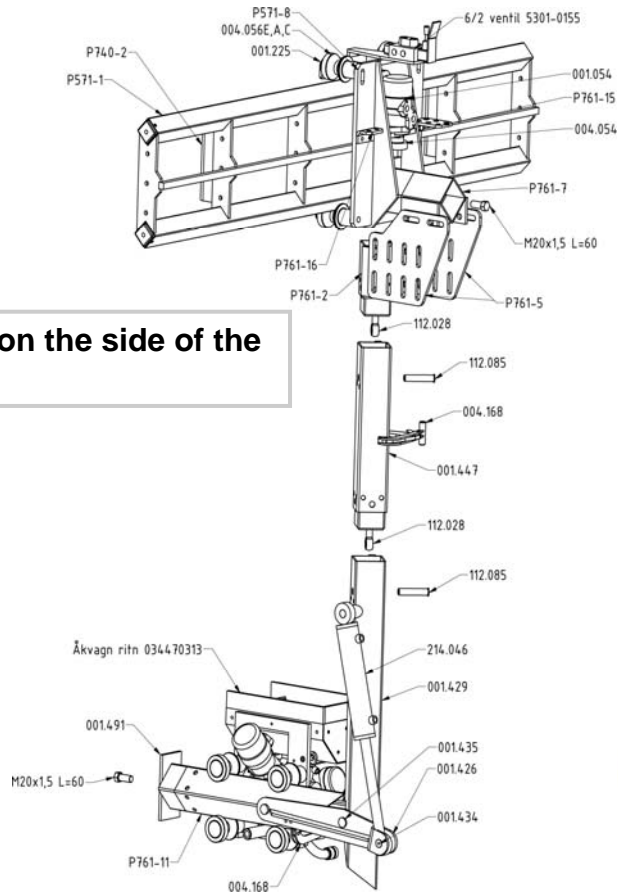
HYDRODEMOLITION

Below berths...



Edgebeams on trainbridge, no traffic is interrupted...

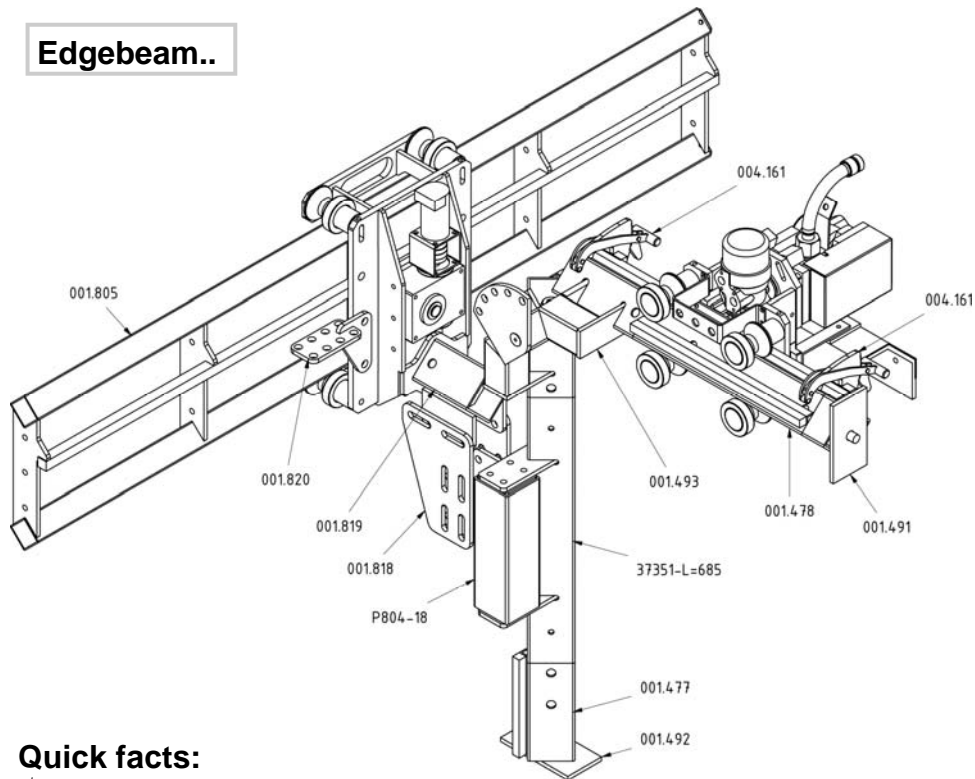




Below and on the side of the berths...



Edgebeam..



Quick facts:

- ✓ All frameparts of electroplated steel
- ✓ Easy to rebuild to different applications
- ✓ Designed to endure tough enviroments
- ✓ Continous development
- ✓ We help you with the layout for your application

Exhibitions:

January 18-21, 2011
Booth C 5699
Las Vegas
Convention Center
Las Vegas USA



March 8-11, 2011
Booth B06:72
Byggmaskiner 2011
Svenska Mässan
Gothenburg Sweden



Distributor report

Our dealer in Poland, TKL Progress had an open-day event the 16th-17th of June. They showed our robot for very interested and positive visitors, TKL Progress had about 200 visitors from 70 companies!



Exhibition report

DEMCON Upplands-Väsby, Stockholm 9-10 September 2010
We entered this exhibition with no big expectations, but found that this was really a high class exhibition with visitors that showed a genuine interest in our Hydrodemolition-robot AQUAJETTER 710V evolution! We gained several leads to follow up. Many thanks to all of you that visited us!



Company news

In our previous Aquajet News we informed you that we employed another person in sales, Mr Patrik Andersson. Here you see him on the left side together with our new agent in Australia, Mr Derek Bade from company Metco that has come to our headoffice in Sweden to learn more about our range of hydrodemolition equipment! He also took the time to inspect the first robot he has sold in Australia.



AQUAJET
SYSTEMS AB
PROVEN HYDRODEMOLITION EQUIPMENT

Postadress/postal address
AQUAJET SYSTEMS AB
Brunnsvägen 15
SE-570 15 Holsbybrunn, Sweden

Telefon/Telephone
Nat 0383-50801
Int +46-383-50801

Telefax/Facsimile
Nat 0383-50730
Int +46-383-50730
<http://www.aquajet.se>

E-mail
aquajet@aquajet.se
Internet

Pictures are illustrative only and do not necessarily show configuration of products on the market at the given point in time. Product must be used in conformity with safe practice and applicable statutes, regulation codes and ordinances. Specifications of products and equipment shown herein are subject to change without notice. Subject to alteration without prior notice.